

DAVID Y. IGE
GOVERNOR



STATE OF HAWAII
DEPARTMENT OF TRANSPORTATION
869 PUNCHBOWL STREET
HONOLULU, HAWAII 96813-5097

FORD N. FUCHIGAMI
DIRECTOR

Deputy Directors
JADE T. BUTAY
ROSS M. HIGASHI
EDWIN H. SNIFFEN
DARRELL T. YOUNG

IN REPLY REFER TO:

Board of Land and
Natural Resources
State of Hawai'i
Honolulu, Hawai'i

ISSUANCE OF A REVOCABLE PERMIT FOR A T-HANGAR
FOR STORAGE AND MAINTENANCE OF AIRCRAFT
GEORGE'S AVIATION SERVICES, INC.
HONOLULU INTERNATIONAL AIRPORT
TAX MAP KEY: (1) 1-1-76: PORTION OF 20

O'AHU

REQUEST:

Issuance of a Revocable Permit for a T-Hangar for storage and maintenance of aircraft to George's Aviation Services, Inc., situated at Honolulu International Airport.

LEGAL REFERENCE:

Section 171-55, Hawai'i Revised Statutes

APPLICANT:

George's Aviation Services, Inc., whose mailing address is 18 Lagoon Drive, Honolulu, Hawai'i 96819.

LOCATION AND TAX MAP KEY:

A portion of Honolulu International Airport, Island of O'ahu, State of Hawai'i, identified as the South Ramp, Tax Map Key: 1st Division, 1-1-76: portion of 20.

AREA:

Area/Space No. 420-124, containing an area of approximately 1,252 square feet, as shown and delineated on the attached map labeled Exhibit "A".

ZONING:

State Land Use District: Urban
City and County of Honolulu LUO: Industrial (I-2)

ITEM M-3

BLNR – ISSUANCE OF A REVOCABLE PERMIT FOR A T-HANGAR
FOR STORAGE AND MAINTENANCE OF AIRCRAFT
GEORGE'S AVIATION SERVICES, INC.

Page 2

LAND TITLE STATUS:

Non-ceded - Section 5(a) lands of the Hawai'i Admission Act
DHHL 30% entitlement lands pursuant to Hawai'i Admission Act YES ___ NO X

CURRENT USE STATUS:

Land presently encumbered by Governor's Executive Order No. 3201, dated June 8, 1983, setting aside 3,152.177 acres designated as Honolulu International Airport under the control and management of the State of Hawai'i, Department of Transportation, Airports Division for Airport Purposes.

CHARACTER OF USE:

T-Hangar for storage and maintenance of aircraft

COMMENCEMENT DATE:

Upon execution of the revocable permit.

MONTHLY RENTAL:

\$729.00 (\$674.00, as determined from the DOTA schedule of rates and charges established by appraisal of Airports property statewide plus \$55.00 for utilities)

SECURITY DEPOSIT:

Three (3) times the monthly rental in effect.

HOLDOVER:

\$24.30

REMARKS:

The issuance of a revocable permit to George's Aviation Services, Inc. for a T-Hangar for storage and maintenance of aircraft at Honolulu International Airport complies with Chapter 343, Exemption Class 1.D.10 as a continuing aeronautical use, and is in accordance with Section 171-55 HRS, relating to Permits.

BLNR – ISSUANCE OF A REVOCABLE PERMIT FOR A T-HANGAR
FOR STORAGE AND MAINTENANCE OF AIRCRAFT
GEORGE’S AVIATION SERVICES, INC.

Page 3

RECOMMENDATION:

That the Board authorize the Department of Transportation to issue a month-to-month revocable permit to George’s Aviation Services, Inc., subject to: (1) terms and conditions herein outlined, which are by reference incorporated herein; and (2) such additional terms and conditions as may be prescribed by the Director of Transportation to best serve the interests of the State.

Respectfully submitted,

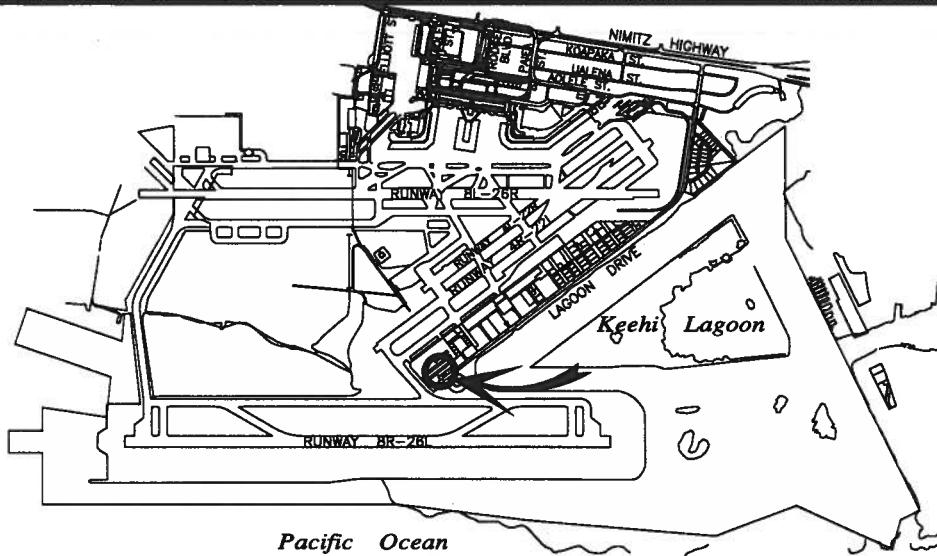


FORD N. FUCHIGAMI
Director of Transportation

APPROVED FOR SUBMITTAL:

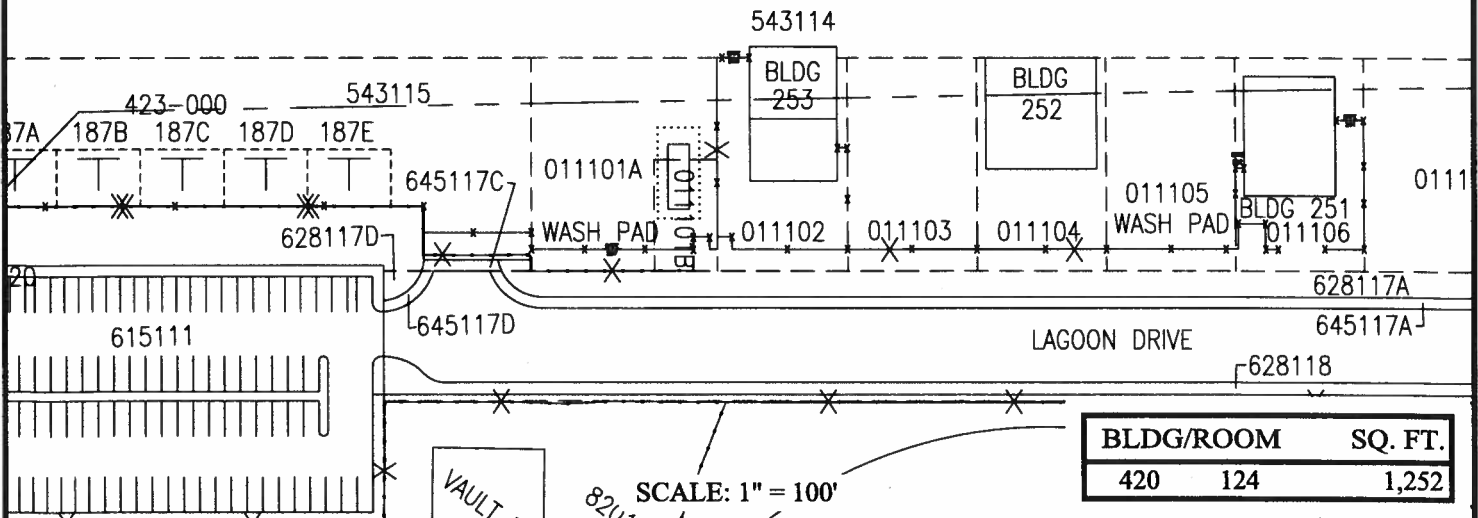
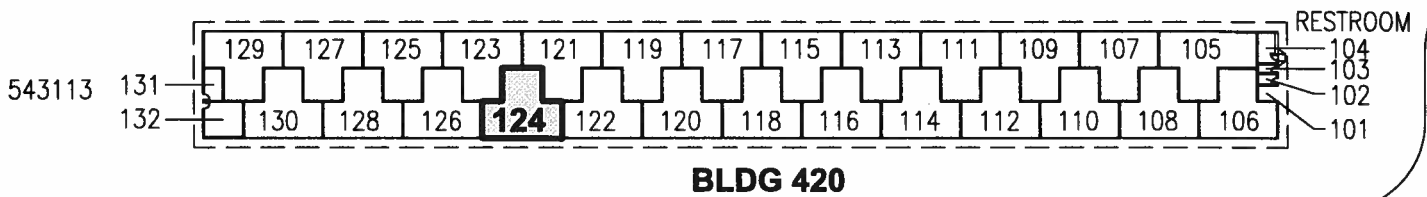
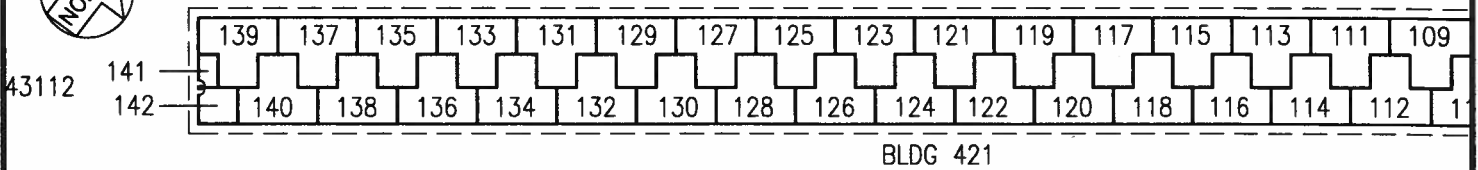


SUZANNE D. CASE
Chairperson and Member



LOCATION PLAN

5000:1



RP-8549

DATE : MAY 2016

EXHIBIT: **A**



Airports Division

GEORGE'S AVIATION SERVICES, INC.

**BUILDING 420
T-HANGARS
SOUTH RAMP**

**420124
PLAT 45**

HONOLULU INTERNATIONAL AIRPORT