



STATE OF HAWAI'I | KA MOKU'ĀINA 'O HAWAI'I  
DEPARTMENT OF TRANSPORTATION | KA 'OIHANA ALAKAU  
869 PUNCHBOWL STREET  
HONOLULU, HAWAII 96813-5097

IN REPLY REFER TO:

June 28, 2024

Board of Land and  
Natural Resources  
State of Hawaii  
Honolulu, Hawaii

ISSUANCE OF A REVOCABLE PERMIT FOR  
PASSENGER CHECK-IN COUNTERS  
QANTAS AIRWAYS LIMITED  
DANIEL K. INOUE INTERNATIONAL AIRPORT  
TAX MAP KEY: (1) 1-1-003: PORTION OF 058

OAHU

APPLICANT:

Qantas Airways Limited, whose mailing address is 300 Rodgers Boulevard, #53,  
Honolulu, Hawaii 96819.

LEGAL REFERENCE:

Hawaii Revised Statutes (HRS), Section 171-55, as amended.

LOCATION AND TAX MAP KEY:

A portion of Daniel K. Inouye International Airport (Airport), Island of Oahu, State of  
Hawaii, identified by Tax Map Key: 1<sup>st</sup> Division, 1-1-003: Portion of 058.

AREA:

Building/Room No. 344-221B, containing an area of approximately 610 square feet,  
as shown and delineated on the attached map labeled Exhibit A.

ZONING:

State Land Use District: Urban  
City and County of Honolulu LUO: Industrial (I-2)

**ITEM M-13**

BLNR – ISSUANCE OF A REVOCABLE PERMIT FOR PASSENGER CHECK-IN  
COUNTERS, QANTAS AIRWAYS LIMITED  
PAGE 2

LAND TITLE STATUS:

Non-ceded - Section 5(a) lands of the Hawaii Admission Act  
DHHL 30% entitlement lands pursuant to Hawaii Admission Act YES \_\_\_ NO X

CURRENT USE STATUS:

Land presently encumbered by Governor’s Executive Order No. 3201, dated June 8, 1983, setting aside 3,152.177 acres designated as the Airport under the control and management of the State of Hawaii, Department of Transportation (HDOT), for Airport Purposes.

CHARACTER OF USE:

Qantas Airways Limited will use the space for a passenger check-in counter, as part of their Signatory Airline Carrier Operations at Daniel K. Inouye International Airport.

COMMENCEMENT DATE:

To be determined by the Director of Transportation at a later date.

MONTHLY RENTAL:

\$6,363.32, as determined from the HDOT Signatory Carrier Rates and Charges, Hawaii Airports System, effective July 1, 2023.

SECURITY DEPOSIT:

\$19,089.96, or three times the monthly rental in effect.

DCCA VERIFICATION:

Place of business registration confirmed:	YES <u>X</u>	NO ___
Registered business name confirmed:	YES <u>X</u>	NO ___
Good standing confirmed:	YES <u>X</u>	NO ___

CHAPTER 343, HRS - ENVIRONMENTAL ASSESSMENT:

The environmental impacts of the proposed action to the subject land area is covered by the Honolulu International Airport, Airport Modernization Program Environmental Assessment (EA), State Project No. AO1030-13. The EA is a joint State and Federal document dated January 2013, and published in the February 8, 2013 issue of the OEQC

BLNR – ISSUANCE OF A REVOCABLE PERMIT FOR PASSENGER CHECK-IN  
COUNTERS, QANTAS AIRWAYS LIMITED  
PAGE 3

Bulletin. Accordingly, the actions have been determined to have little or no impact upon the environment.

REMARKS:

In accordance with HRS, relating to Permits, the HDOT proposes to issue a month-to-month Revocable Permit to Qantas Airways Limited, for a passenger check-in counter as part of its Signatory Commercial Air Carrier Operations, situated at the Airport.

RECOMMENDATION:

Based on this submittal, and testimony and facts presented, the HDOT recommends the Board finds that approving the issuance of a month-to-month Revocable Permit to Qantas Airways Limited, including its conditions and rent, will serve the best interests of the State.

Respectfully submitted,



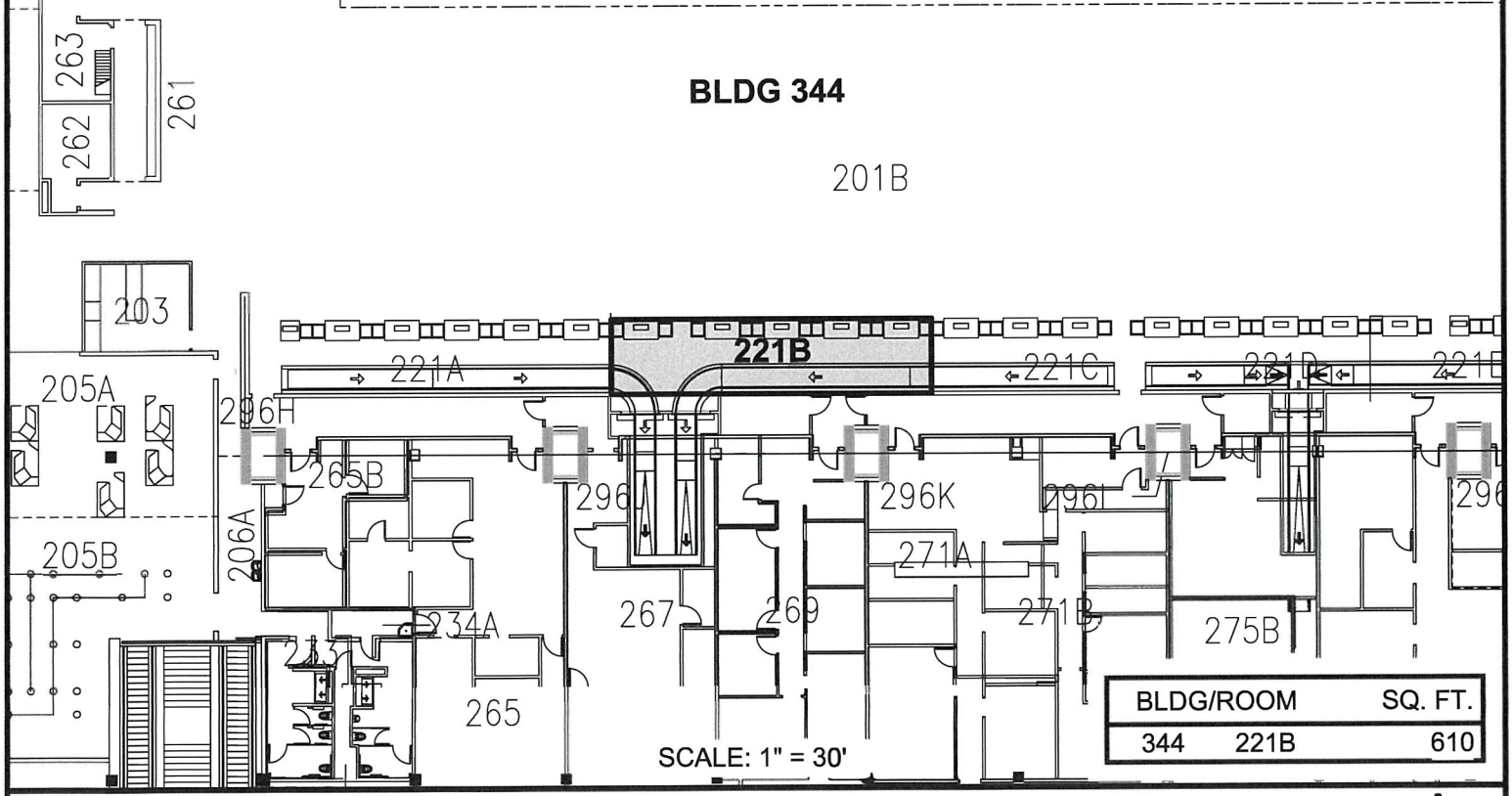
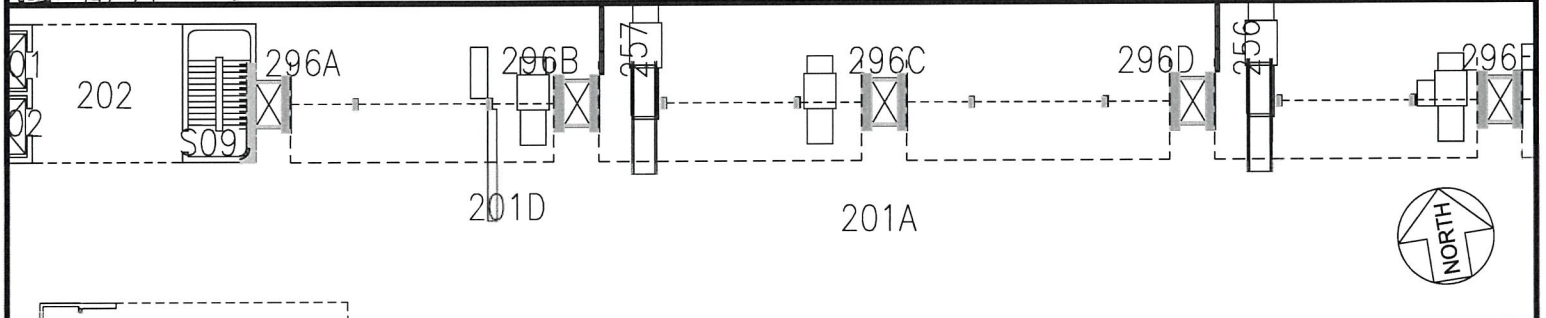
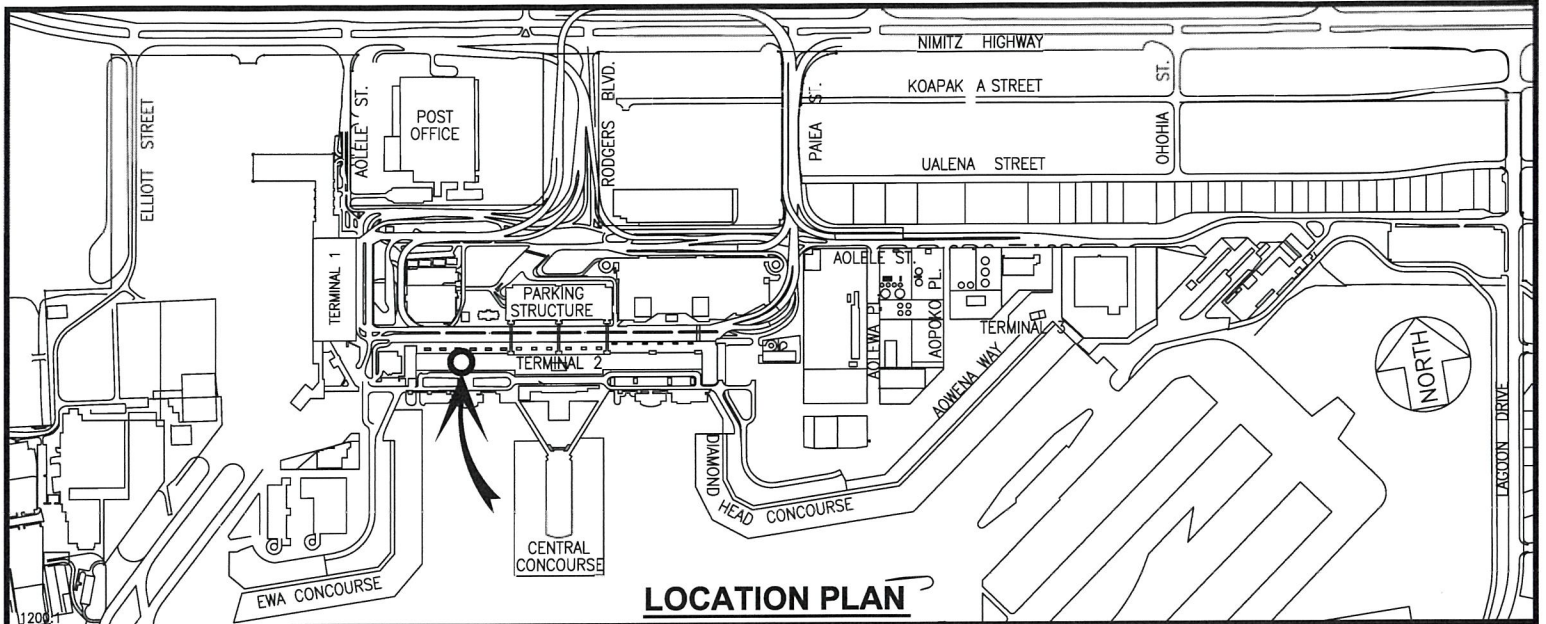
EDWIN H. SNIFFEN  
Director of Transportation

APPROVED FOR SUBMITTAL:



DAWN N. S. CHANG  
Chairperson  
Board of Land and Natural Resources

Attachment



RP-9572

DATE : MAY 2024

EXHIBIT: **A**



AIRPORTS

QANTAS AIRWAYS LIMITED

BUILDING 344  
EWA DOMESTIC EXTN.  
SECOND LEVEL

344221B

DANIEL K. INOUE INTERNATIONAL AIRPORT

N:\AIRPORTS\HNL\_HONOLULU\CAD\PM\HNL\_344221B-01\_DRAFT.DWG